

Sensor

TT...

Water Proof Temperature Transmitter

【Description】

TT... temperature transmitter are to measure air or fluid temperature. It send signal to controller with two wires for air-condition control.

【Features】

High precision sensor can measure room, duct, or water pipe temperature. Good out looking and easy installation.



【Specification】

Model	Type	Output	Sense Range	Description
TTD7025A	Duct	4 ~ 20mA	-10 ~ 40 □	Work with TCP...VLC...TX...
TTW7015A	Immersion	4 ~ 20mA	-10 ~ 40 □	Work with TCP...VLC...TX...

Power Supply :	12 ~ 40 Vdc, 24 Vdc	Material :	Pole: stainless steel, cover: die cast
Consumption :	1VA	Protection :	IP 65
Sensor :	PT100	Env. Humidity :	10~95 % RH
Sense Range :	-10~40°C	Env. Temp. :	-5°C~55°C
Accuracy :	±0.15 % full scale	Weight :	Duct : 468 g Immersion : 548 g
Max. Load :	600 ohms	Fluid Temp. :	-10°C~150°C
Reaction time :	300msec	Fluid Pressure :	16 kg/cm ²
Connector :	PG 9		

【Accessories】

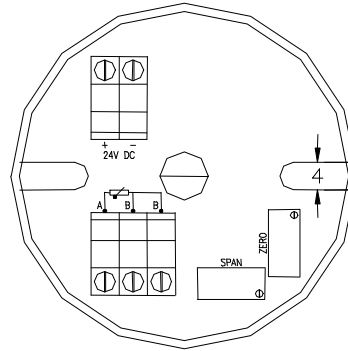
Type	Description
ABK001	Mounting Brackets for duct work.
AWL1508C-NPT	1/2in Brass Well, NPT*8φ(inner dia.)*150mm length
AWL1508S-NPT	1/2in SUS304 Well, NPT*8φ (inner dia.)*150mm length

【Installation】

- Duct type – Install mounting bracket, insert the transmitter and fix its screws. Install it at a place with stable air flow. Drill a 8φmm hole at straight pipe with 3~5 times duct diameter to an elbow. Insert and fix the transmitter on it.
- Immersion type – Fix the casing pipe and fill it with thermo jelly. Insert the transmitter and fix its screws. Put it at a steady flow. 3~5 times pipe diameter of a straight pipe from an elbow is suggested.

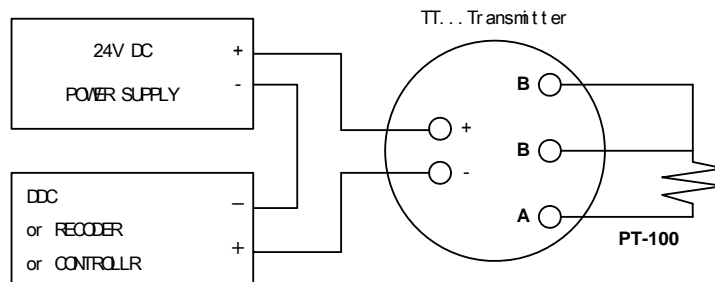
【Connector】

- Remove cover to see connectors. Unplug the connector and connect wires. Put plug back after wire connected.
- Please do not adjust any accuracy setting knob.

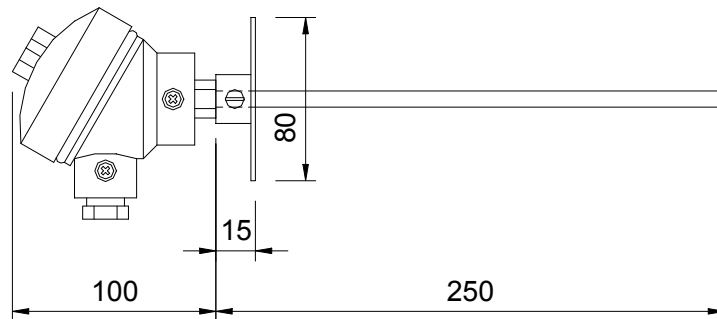


【Wiring】

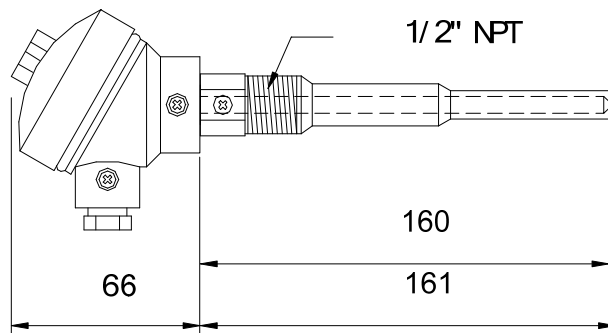
- Power supply by controller itself or by serial connection with other power source.



【Dimension】 (Unit : mm)



Duct Type



Immersion Type

Above information is for this product. We reserve the right to alter this information without notice