

# Executes equipment

# NACA.-08/16/24

## On/Off floating action electric damper actuator

### [Description]

The NACA series electric damper actuator is usually applied for cooling, heating, ventilation or the air flow control of an industrial process. It may also work with the other devices to control temperature, humidity or pressure.

### [Features]

The electric damper actuator NACM1.X series combines a "gear box", "holder" and "electric control circuit" to be an actuator. It has the following features.

- ON-OFF, 3 points floating control.
- This series has 8~32Nm torque.
- Lock to the rotate bar.  
Round:  $\phi$  10~20mm, Square: 10~16mm.
- Can parallel wiring 20 actuators together.
- 2 SPDT contact, can set position switch.
- CW or CCW motor directional control.
- Save energy when stop. Runs at low-noise.
- Manual operation and setting the rotate angle.
- Show damper position on its cover.



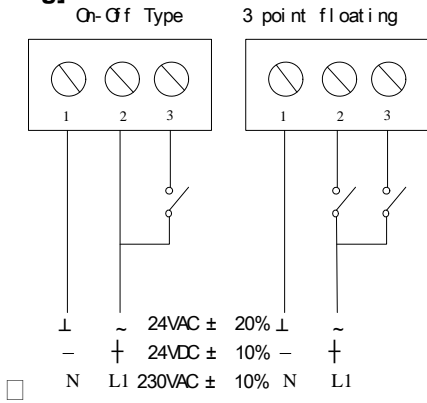
### [Specification]

Model	Torque	Damper size	Action time	Power supply	Power consumption	Weight
NACA 1-08	8 Nm	2 m <sup>2</sup>	30. .45 Second	24VAC/ DC	Running: 4W, stop: 0.5W	1.2Kg
NACA 1-16	16 Nm	4 m <sup>2</sup>	80. .110 Second	24VAC/ DC	Running: 4W, stop: 0.5W	1.2Kg
NACA 1-24	24 Nm	6 m <sup>2</sup>	125. .160 Second	24VAC/ DC	Running: 4W, stop: 0.5W	1.2Kg
NACA 2-08	8 Nm	2 m <sup>2</sup>	30. .45 Second	220VAC	Running: 5.5W, stop: 1W	1.2Kg
NACA 2-16	16 Nm	4 m <sup>2</sup>	80. .110 Second	220VAC	Running: 5.5W, stop: 1W	1.2Kg
NACA 2-24	24 Nm	6 m <sup>2</sup>	125. .160 Second	220VAC	Running: 5.5W, stop: 1W	1.2Kg

Note: Model with (S) means the model has two assist contact switch.

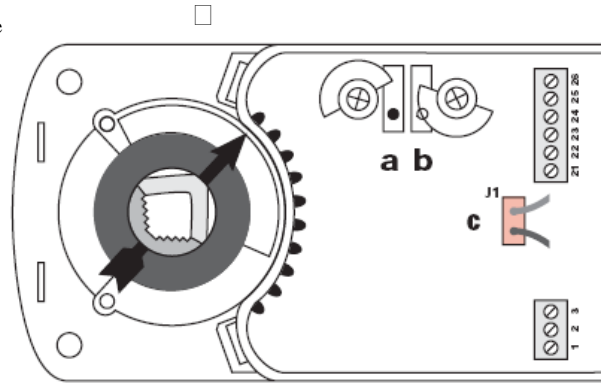
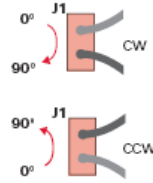
Power Frequency	: 50~60HZ
Control signal	: ON- OFF, 3 points of floating types (FLOATING)
Wiring Capacity	: 6.5 VA
Contact Capacity	: 3A (1.5A) ,220 VAC
Rotation Angle	: 90° (can set up range 5~85°, each squares 5°)
Rotator Size	: Rotund: $\phi$ 10~20mm, square: 10~16mm.
Appearance	: ABS plastic (light blue)
Protect grade	: IP44 or IP54 with PG11 cable connector
Operation Temperature	: -20□~ 50□
Operation Humidity	: 5~95 % RH
Noise	: 45dB
Certificate	: Accord with CE Certification

**[Wiring]**

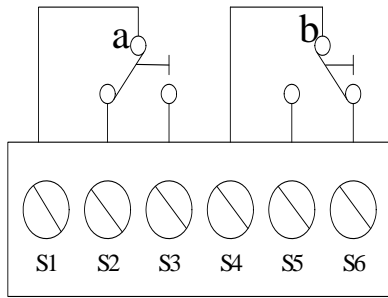


**Change direction**

Plug in C at opposite side to change rotation direction



**[Auxiliary switches]**



3(1.5) A 230VAC  
Motor position at 0°

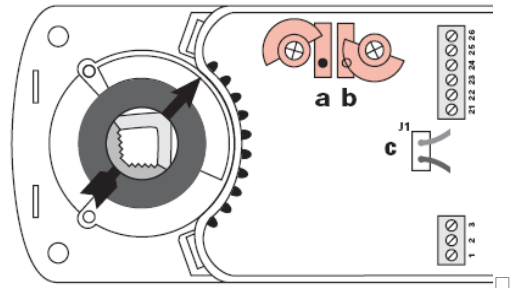
**Assist switch setting**

Default:

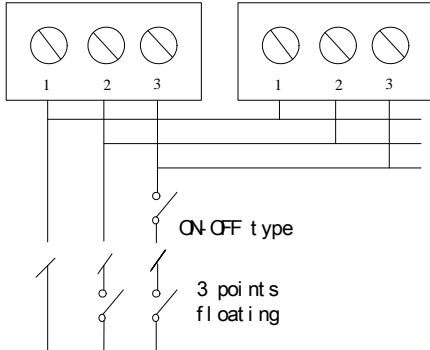
Switch a at 10°

Switch b at 80°

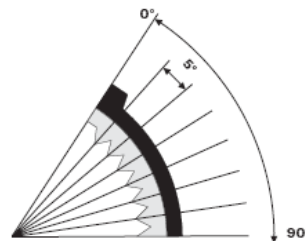
Manual rotate the switch



**[Parallel Connection]**



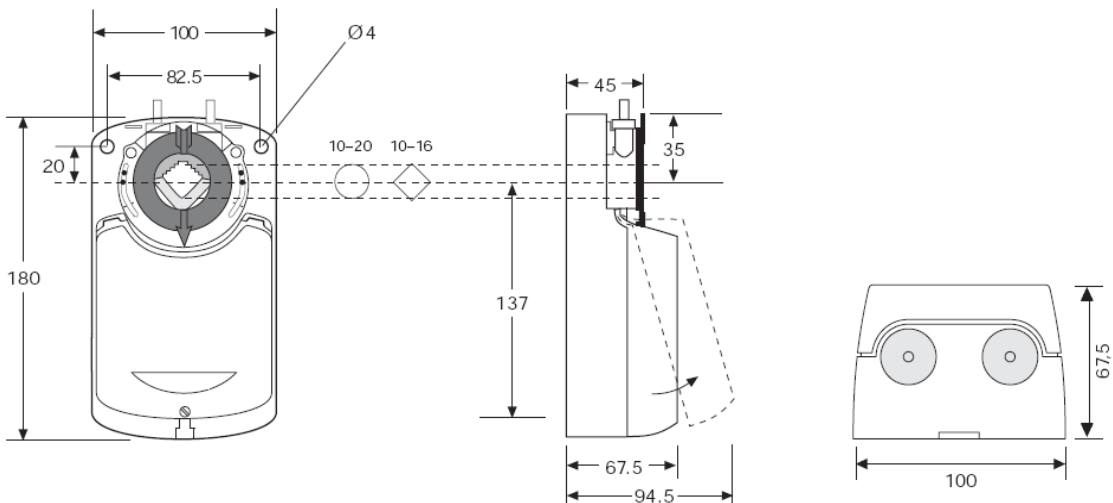
**Angle-of-rotation limiting**



**Releasing the adapter**



**[Dimension] unit: mm**



Above information is for this product. We reserve the right to alter this information without notice

Please refer to <http://www.airtek.com.au> for the most recent updated information.